

974	Gee Bee Eightster: 153mm span.....	\$7.70
975	Gee Bee Eightster: 622mm span.....	\$7.70
976	Glenny & Henderson Gadfly: 489mm span.....	\$7.70
977	Gloster Gladiator: 470mm span.....	\$7.70
978	Gloster Gladiator: 533mm span.....	\$7.70
979	Great Lakes Torpedo Plane: 622mm span.....	\$7.70
986	Grumman F3F-1: 610mm span.....	\$7.70
982	Grumman F8F1: 547mm span.....	\$7.70
983	Grumman Fighter F3F-1: 482mm span.....	\$7.70
984	Grumman Fighter SF-1: 559mm span.....	\$7.70
985	Grumman G22: 451mm span.....	\$7.70
987	Grumman Wildcat: 489mm span.....	\$7.70
988	Grumman XF4F: 460mm span.....	\$7.70
989	Guerchias 110: 762mm span.....	\$7.70
990	Handly Page Bomber: 622mm span.....	\$7.70
991	Hanriot Biche H110: 603mm span.....	\$7.70
995	Hawker Hurricane: 660mm span.....	\$7.70
992	Hawker Light Bomber: 648mm span.....	\$7.70
993	Hawker Merlin: 679mm span.....	\$7.70
994	Hawker Super Fury: 470mm span.....	\$7.70
996	Heath Baby Bullet: 368mm span.....	\$7.70
997	Heath Parasol: 597mm span.....	\$7.70
999	Howard DGA 8: 610mm span.....	\$7.70
1000	Howard DGA 125 Trainer: 584mm span.....	\$7.70
1003	Howard GH1: 640mm span.....	\$7.70
998	Howard Hughes Racer: 483mm span.....	\$7.70
1001	Howard Pete: 192mm span.....	\$7.70
1002	Howard Pete: 394mm span.....	\$7.70
1004	Interstate Cadet: 600mm span.....	\$7.70
1005	Interstate Cadet: 697mm span.....	\$7.70
1006	Jones S125: 495mm span.....	\$7.70
1007	Kawasaki KDK5: 559mm span.....	\$7.70
1008	Keane Ace: 559mm span.....	\$7.70
1009	Koolhoven FK55: 521mm span.....	\$7.70
1010	Koolhoven FK58: 597mm span.....	\$7.70
1012	Luscombe 10: 590mm span.....	\$7.70
1011	Luscombe Silvalre: 679mm span.....	\$7.70
1013	Martin BM1: 495mm span.....	\$7.70
1014	Martin BM2: 635mm span.....	\$7.70
1024	ME 109: 530mm span.....	\$7.70
1015	MIG 3: 580mm span.....	\$7.70
1018	Miles Magister Hawk: 700mm span.....	\$7.70
1017	Miles Masters: 585mm span.....	\$7.70
1019	Miles Mohawk: 530mm span.....	\$7.70
1021	Minicab: 500mm span.....	\$7.70
1016	Monocoupe D145: 514mm span.....	\$7.70
1023	Morane Saulnier: 730mm span.....	\$7.70
1022	Morane Saulnier 406 C1: 400mm span.....	\$7.70
1020	Mr Mulligan: 635mm span.....	\$7.70
1025	Nakajimba 96: 482mm span.....	\$7.70
1026	North American O47 Attack: 699mm span.....	\$7.70
1027	North American P-51 Mustang: 590mm span.....	\$7.70
1028	North American P51D Mustang: 267mm span.....	\$7.70
1030	Northrop A17: 610mm span.....	\$7.70
1029	Northrop XA17: 590mm span.....	\$7.70
1031	Northrop XBT1: 660mm span.....	\$7.70
1032	Percival Mew Gull: 622mm span.....	\$7.70
1033	Rearwin Speedster: 700mm span.....	\$7.70
1034	Rearwin Speedster 6000: 500mm span.....	\$7.70
1036	Rumpler Taube: 559mm span.....	\$7.70
1035	Ryan ST: 476mm span.....	\$7.70
1037	Schweitzer TG2: 784mm span.....	\$7.70
1038	Sopwith Snipe: 622mm span.....	\$7.70
1040	Spitfire IX: 440mm span.....	\$7.70
1039	Spitfire RAF: 690mm span.....	\$7.70
1041	Stearman Hammond: 508mm span.....	\$7.70
1042	Stinson Sr6: 629mm span.....	\$7.70
1043	Stinton Trimotor A: 571mm span.....	\$7.70
1044	Stormavik IL-2: 690mm span.....	\$7.70
1045	Taylor Cub: 673mm span.....	\$7.70
1046	Taylorcraft 57: 820mm span.....	\$7.70
1047	Taylorcraft L2B: 546mm span.....	\$7.70
1048	Troopglider Allied-Bristol: 720mm span.....	\$7.70
1049	Vale Pursuit: 546mm span.....	\$7.70
1050	Vickers Gun Bus: 489mm span.....	\$7.70
1052	Vought SB2U1: 514mm span.....	\$7.70
1051	Vought SBU1: 711mm span.....	\$7.70
1053	Vought Scout Bomber: 717mm span.....	\$7.70
1054	Vulzee Attack Bomber: 559mm span.....	\$7.70
1055	Vulzee V-11GB: 508mm span.....	\$7.70
1056	Vulzee Vanguard: 600mm span.....	\$7.70
1057	Waco Custom Cabin: 673mm span.....	\$7.70
1059	Waco 'E': 530mm span.....	\$7.70
1058	Waco Model D: 514mm span.....	\$7.70
1060	Westland Lysander: 622mm span.....	\$7.70
1061	Wittman Tailwind: 184mm span.....	\$7.70


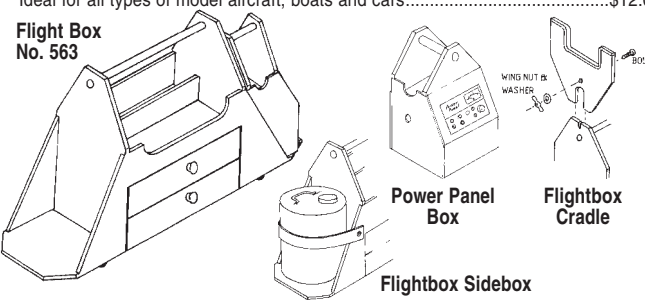
## FROG SERIES

286	Frog 45L: FF power; semi-scale; 1145mm span.....	\$14.30
280	Frog Aerobat: CL stunter; for .15 engine.....	\$14.30
281	Frog Attacker: CL stunter; 1270mm span.....	\$15.40
282	Frog Cirrus: FF rubber; 965mm span.....	\$14.30
283	Frog Diana: FF glider; 915mm span.....	\$13.20
284	Frog Firefly: FF power; biplane; 36" span.....	\$14.30
285	Frog Fox: FF power; 40" span; 1.5 cc diesel; pylon.....	\$12.00
287	Frog Goblin: FF hi-wing rubber; 610mm span.....	\$12.00
288	Frog Jackdaw: RC; 60 inch span; .35 to .40 engine; 4ch.....	\$22.00
289	Frog Janus: FF power; 1145mm span; .09 diesel.....	\$13.20
290	Frog Jupiter: FF rubber; 930mm span.....	\$13.20
291	Frog Mamba: FF rubber; swept wing; 480mm span.....	\$12.00
292	Frog Minx: FF rubber; 762mm span.....	\$11.00
293	Frog Mirage: 5 cc CL Team Racer (Class B).....	\$12.00
294	Frog Nimrod: FF; semi-scal for .049 engine.....	\$11.00
295	Frog Petral: FF glider; 33 inch span.....	\$12.00
296	Frog Powavan: FF power; pylon type; for .75 engine.....	\$13.20
297	Frog Prince: FF or RC glider; 60" span; 3 ch.....	\$14.30
298	Frog Radius: CL; 560mm span; for .09 diesel.....	\$11.00
299	Frog Special Series: 5 rubber plans on 1 sheet.....	\$17.60
300	Frog Sprite: FF rubber; 613mm span.....	\$11.00
302	Frog Stardust: duration model; 940mm span.....	\$13.20
301	Frog Stratosphere & Strato D: FF power; 1065mm span; for .09 engine.....	\$15.40
303	Frog Tarquin: FF power; high swept wing; engine on pylon; 990mm span; for .09 engine.....	\$15.40
304	Frog Tutor: FF power; semi-scale; 1090mm span; for .09 engine.....	\$15.40
305	Frog Vanda: FF glider; 1010mm span.....	\$12.00
306	Frog Vanda Mk II: FF glider; 1020mm span.....	\$12.00
307	Frog Vandiver: CL; aerobic; 685mm span.....	\$13.20
308	Frog Vanfire: CL; 1016mm span; .30 engine.....	\$16.50
309	Frog Vantage: CL; 5 cc Team Racer (Class B).....	\$13.20
310	Frog Ventura: FF glider; 1065mm span.....	\$12.00
311	Frog Venus: FF rubber; 38" span.....	\$13.20
312	Frog Vespa: FF glider; 762mm span.....	\$12.00
313	Frog Vixen: FF power; 940mm span; .09 engine.....	\$12.00
314	Frog Witch: FF rubber; 915mm span.....	\$12.00
315	Frog Witch II: FF rubber; 36" span.....	\$12.00
316	Frog Wren: FF glider; 635mm span.....	\$12.00
317	Frog Zephyr: FF rubber; 840mm span.....	\$12.00

## CO2/AIR

200	Mini Cardinal: by Mick Nearn; 400mm span; for CO2.....	\$7.70
573	Renard: Scale high wing monoplane for "Zanin air motor". Wingspan 800mm.....	\$16.50
230	Ryan PT20: by Celestino Rossi; 500mm span; for CO2.....	\$8.80

## MISCELLANEOUS

161	Aircraft Floats: for aircraft up to 2kg.....	\$13.20	
352	Aircraft Floats: for aircraft up to 3kg; 915mm long.....	\$15.40	
563	Flight Box: Simple to build, easy to understand plan to get organised. Ideal for all types of model aircraft, boats and cars.....	\$12.00	
	Flight Box No. 563		
676	Flight Box 1/2 size: Complete with all dimensions. 2 draw, aircraft cradle, removable battery/power panel box.....	\$8.00	
254	Wackett CA-6 Trainer: 1/25 scale; detail outline drawing; by Bob Parker.....	\$7.70	

POSTAGE				POSTAGE			
PLANS Within Australia		PLANS International		CANOPIES & COWLS			
1 Sheet	\$5.00	1 Sheet	\$11.00	Vic	\$8.00	NSW	\$11.00
2 Sheets	\$6.00	2 Sheets	\$16.00	SA, Qld	\$14.00	Tas.	\$13.00
3 - 4 Sheets	\$9.50	3 - 4 Sheets	\$23.00	NT, WA	\$20.00		
5 - 6 Sheets	\$11.50	5 - 6 Sheets	\$30.00			International	\$23.00